

HX22KG4083G DPDT Switch

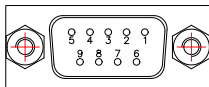
1. Description

ID	Items	Specifications
1-1	Type	DPDT Switch
1-2	Frequency Range	0.4 ~ 8.5GHz
1-3	Isolation	≥70dB@0.4 ~ 7.5GHz ≥60dB@7.5 ~ 8.5GHz
1-4	Insertion Loss	≤2.0dB
1-5	VSWR	≤1.6
1-6	Impedance	50Ω
1-7	RF Input Power	2W
1-8	Switching Speed	≤200ns
1-9	Input/Output Connectors	SMA-F
1-10	Control Connectors	DB9-Female
1-11	Control	TTL=0 ~ 0.8V/3.3 ~ 5V
1-12	DC Power Supply	+5V/≤100mA

2. Environmental Specifications

ID	Items	Specifications
2-1	Operational Temperature	-40°C ~ +70°C
2-2	Storage Temperature	-55°C ~ +85°C

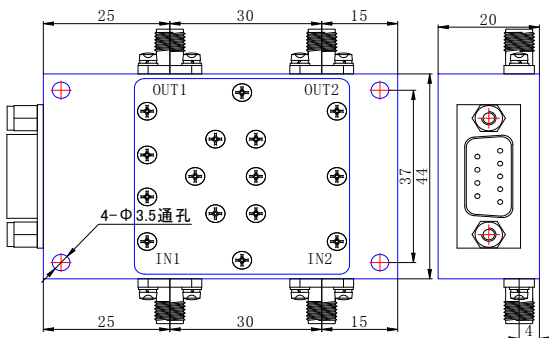
3. Interface

ID	Items	Specifications
3-1	Control Connectors	DB9-Female
		
3-2	NO	Specifications
	1	+5V
	2	GND
	3	C
	4-9	NC

4. Truth Table

ID	C	Signal Path State
4-1	0	IN1→OUT1, IN2→OUT2
	1	IN1→OUT2, IN2→OUT1

5. Outline Drawing

ID	Items	Specifications
5-1	Outline Drawing	Unit: mm
<p>Tolerances:±0.1mm</p> 		
5-2	Material	Aluminum
5-3	Finish	Nickel Plated
5-4	Weight	/

NOTE: ALL SPECIFICATIONS ARE SUBJECT TO CHANGE WITHOUT NOTICE AT ANY TIME.