

HX12KG3073G High-Power SPDT Switch

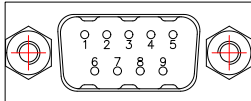
1. Description

| ID | Items | Specifications |
|------|-------------------------|-----------------------------------|
| 1-1 | Type | Reflective High-Power SPDT Switch |
| 1-2 | Frequency Range | 30~520MHz |
| 1-3 | Isolation | ≥60dB |
| 1-4 | Insertion Loss | ≤0.4dB |
| 1-5 | VSWR | ≤1.4 |
| 1-6 | Impedance | 50Ω |
| 1-7 | RF Input Power | 500W CW |
| 1-8 | Switching Speed | ≤5μs |
| 1-9 | Second Harmonic | ≥50dBc |
| 1-10 | Input/Output Connectors | SMA-F |
| 1-11 | Control Connectors | DB9-male |
| 1-12 | Control | TTL=0 ~ 0.8V/3.3 ~ 5V |
| 1-13 | DC Power Supply | 12~24V/≤200mA |

2. Environmental Specifications

| ID | Items | Specifications |
|-----|-------------------------|----------------|
| 2-1 | Operational Temperature | -40°C ~ +70°C |
| 2-2 | Storage Temperature | -55°C ~ +85°C |

3. Interface

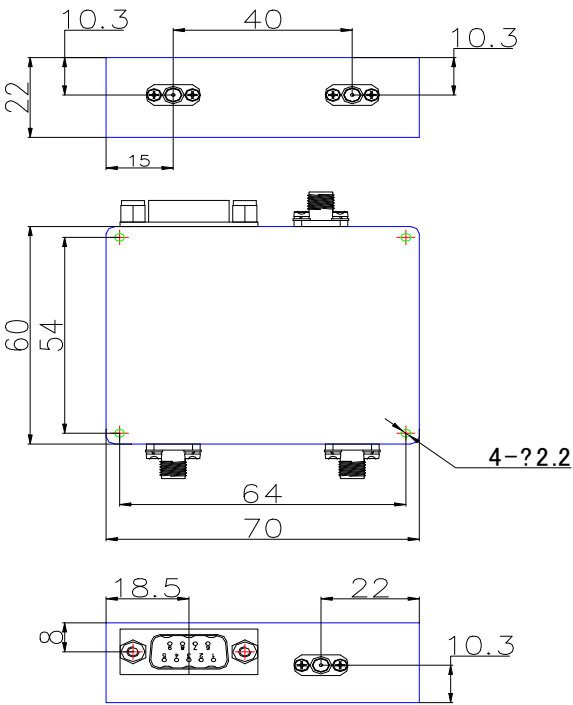
| ID | Items | Specifications |
|---|--------------------|-----------------------|
| 3-1 | Control Connectors | DB9-male |
|  | | |
| 3-2 | NO | Specifications |
| | 1-2 | 12~24V |
| | 3 | TTL |
| | 4-9 | GND |

4. Truth Table

| ID | TTL | Signal Path State |
|-----|-----|-------------------|
| 4-1 | 0 | J0→J1 |
| | 1 | J0→J2 |

5. Outline Drawing

| ID | Items | Specifications |
|----|-------|----------------|
|----|-------|----------------|

| | | |
|--|-----------------|---------------|
| 5-1 | Outline Drawing | Unit: mm |
| <p>Tolerances:±0.1mm</p>  | | |
| 5-2 | Material | Aluminum |
| 5-3 | Finished | Natural Color |
| 5-4 | Weight | / |

NOTE: ALL SPECIFICATIONS ARE SUBJECT TO CHANGE WITHOUT NOTICE AT ANY TIME.