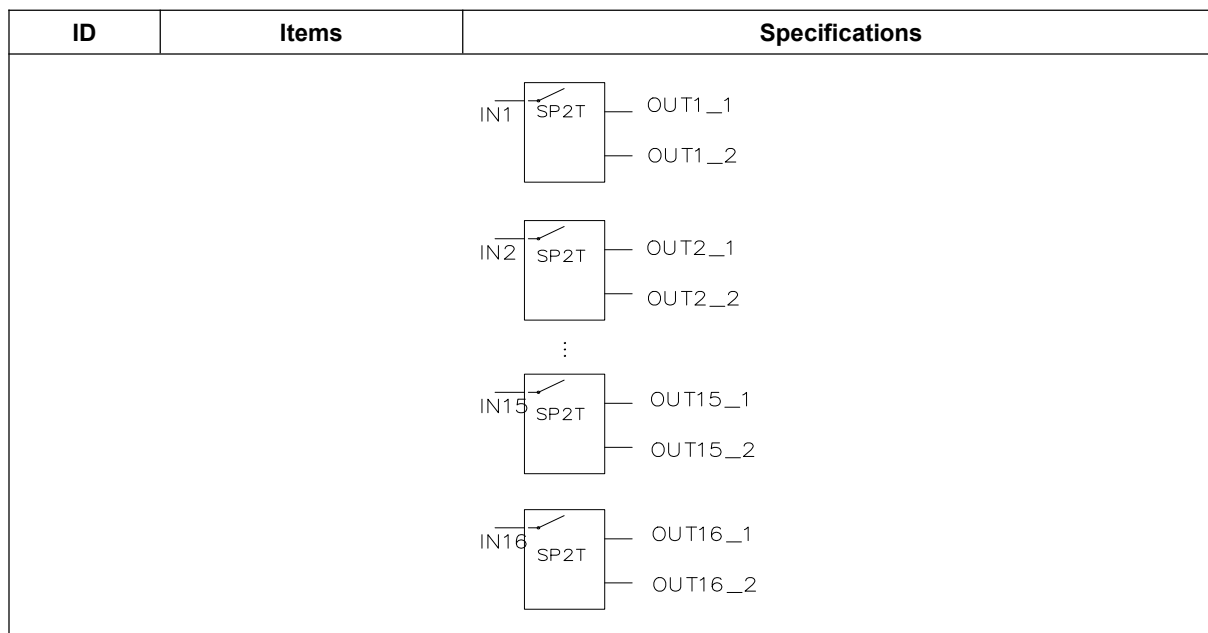


HX1632KGZH9081G Switch Matrix

1. Functional Block Diagram



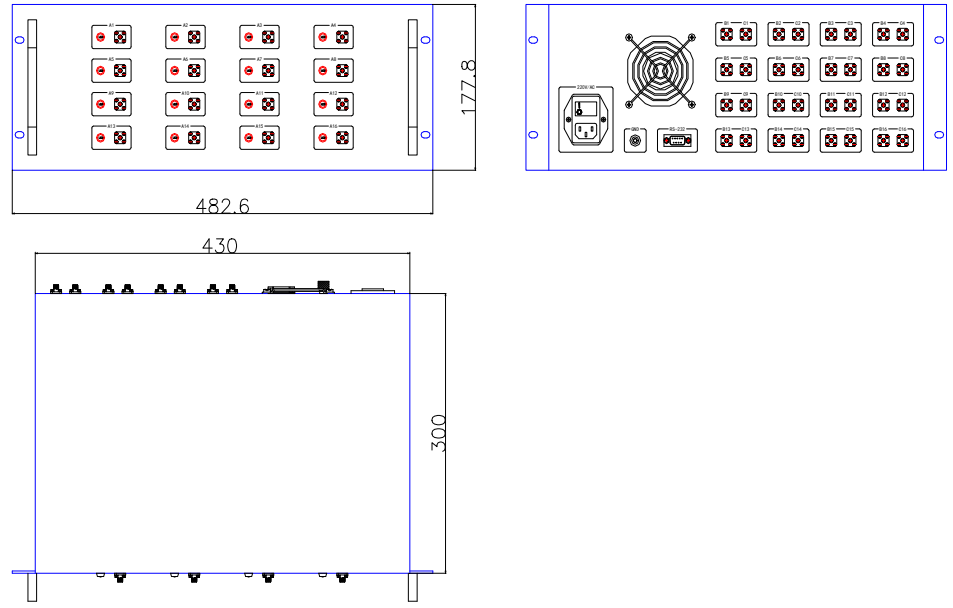
2. Description

ID	Items	Specifications
2-1	Type	16-32 Switch Matrix
2-2	Frequency Range	0.4 ~ 18GHz
2-3	Input	16 Ports
2-4	Output	32 Ports
2-5	Isolation	≥80dB
2-6	Insertion Loss	≤3.5dB@0.4 ~ 8GHz ≤4.5dB@8 ~ 12GHz ≤5.5dB@0.4 ~ 18GHz
2-7	VSWR	≤2.0
2-8	Impedance	50Ω
2-9	RF Input Power	1W
2-10	Switching Speed	≤1ms
2-11	Input/Output Connectors	SMA-F
2-12	Control Connectors	DB9-male
2-13	Control	RS232
2-14	Power Supply	220V±20%/AC

3. Environmental Specifications

ID	Items	Specifications
3-1	Operational Temperature	-20°C ~ +60°C
3-2	Storage Temperature	-40°C ~ +70°C

4. Outline Drawing

ID	Items	Specifications
4-1	Outline Drawing	4U*19inch,Unit: mm
Tolerances:±0.1mm		
		
4-2	Material	Aluminum
4-3	Finished	White Paint
4-4	Weight	/

5. Packing List

ID	Packing List	QTY
5-1	Power Cord	1
5-2	Operation Instruction	1
5-3	Test Report	1

NOTE: ALL SPECIFICATIONS ARE SUBJECT TO CHANGE WITHOUT NOTICE AT ANY TIME.